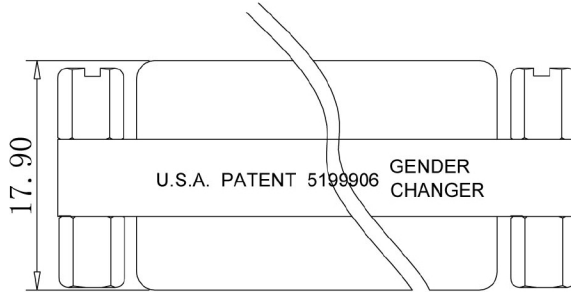
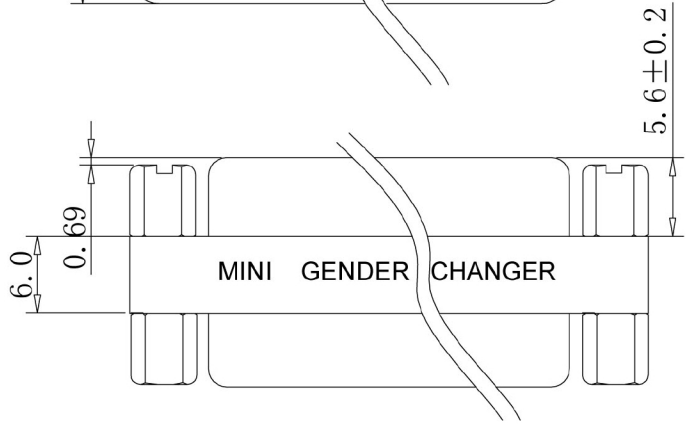
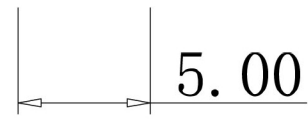
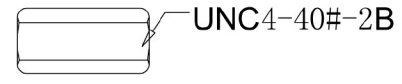
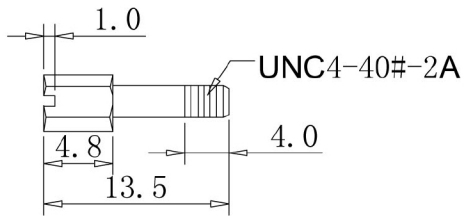
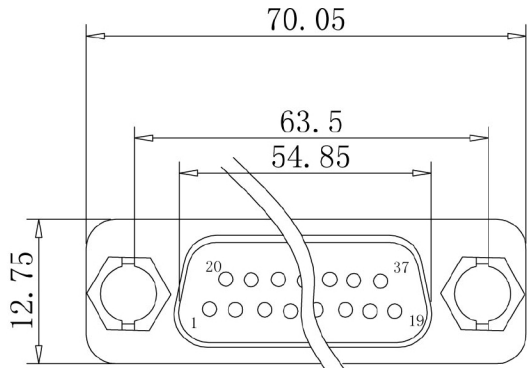


REVISIONS

SYM	ECNNO	DESCRIPTION	DATE	APPROVED

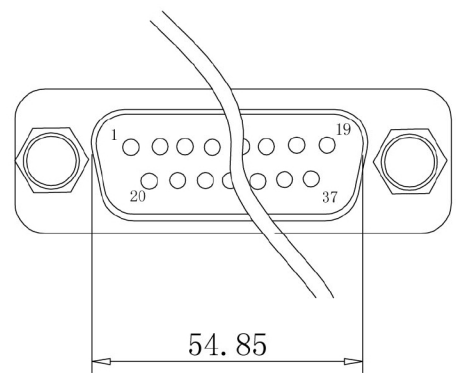


Specification:

- Rating Current: 3 AMP
- Insulation Resistance: 1000M Ohm min. at 500V DC
- Dielectric Strength: 1000V AC for one minute.
- Temperature: -55°C~+105°C
- Contact: Brass Gold flash over Nickel Plated
- Shell: SPCC Nickel Plated
- Insulator: PBT+30%GF UL94V-0 Blue
- Screw: Steel 12L14 Nickel Plated
- Label: Yellow color black charactor
- One Side: MINI GENER CHANGER
- Other Side: U.S.A PATENT 519906 GENDER CHANGER

PIN ASSIGNMENT

DB37F	DB37F
1	1
2	2
3	3
4	4
5	5
6	6
7	7
...	...
36	36
37	37



文件编号	F-3-MIN-001-010	修订履历	日期
版次	00	新版发行	2008/11/18

公差: 未注明公差 ±0.3

DATE	2008/11/18	SCALE	
DWG NO	T003	ANGLE	
UNIT	MM		

2779

TILTE	DB37F/F
TYPE NO	KT090027